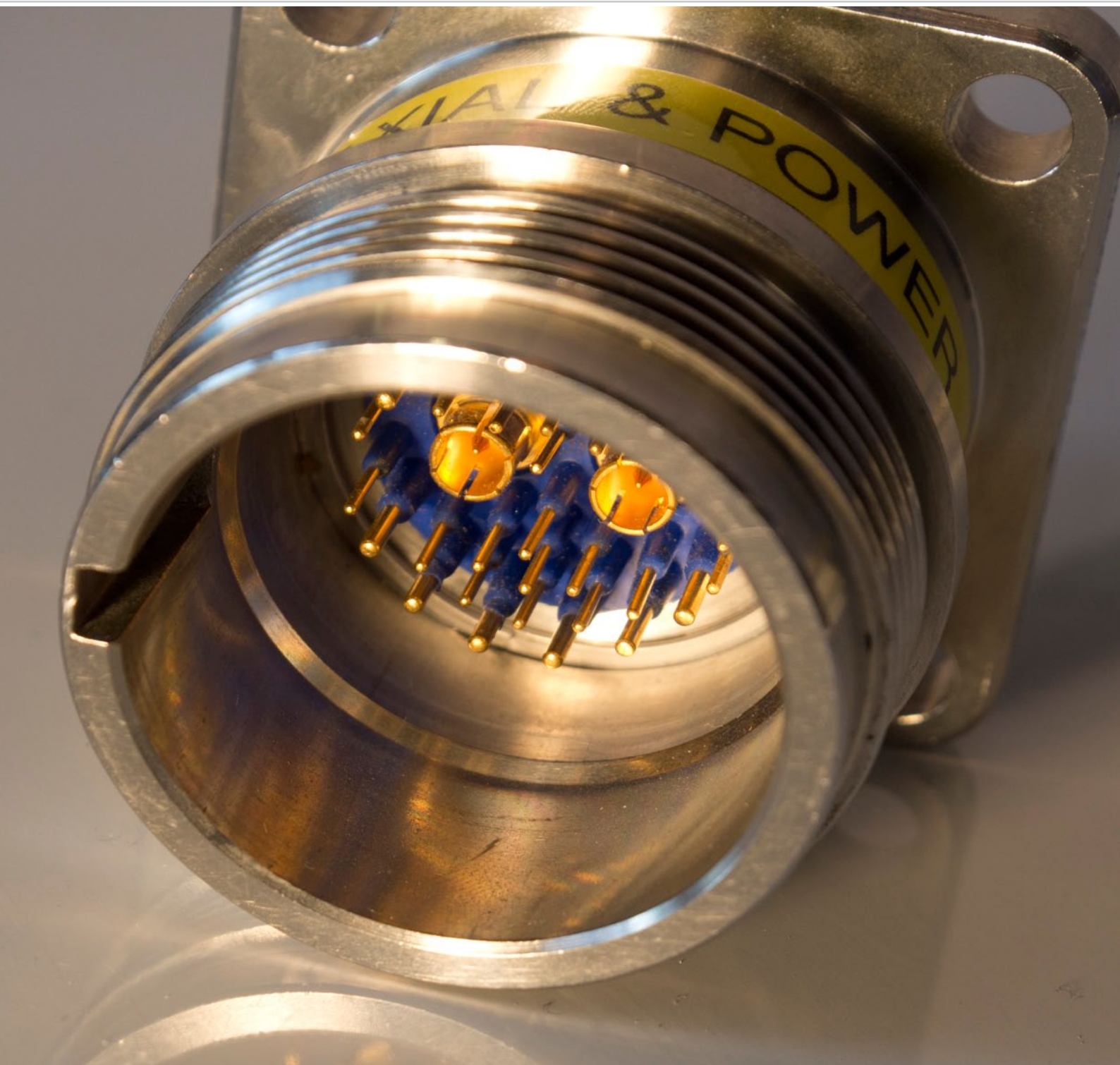


Hydro Bond Engineering Ltd

Surface Mateable Hybrid Coaxial Connectors: Coaxial & Electrical : Metal Keyed / HDM / HYB



Surface Mateable Hybrid Coaxial Connectors

Coaxial & Electrical : Metal Keyed HDM (Hydro Bond Deck Mate) : HYB (Hydro Bond Hybrid)

Hydro Bond Engineering Ltd offer Surface Mateable Hybrid Coaxial and Electrical Connectors from its extensive, high integrity range of subsea connectors.

Our in house engineered and developed electrical technology is at the forefront of harsh environment requirements. Our products have been extensively tested both internally and externally and are field proven on major local, national and international projects.

Our Electrical Engineers and Technicians are fully trained and certified on our equipment by City & Guilds.



HDM: (Hydro Bond Deck Mate) Connector

Features

- Proven Shock Tested Design
- Metal Key provides positive scoop proof connection
- Fully pressure blocked 50-Ohm & 75-Ohm coaxial inserts
- Coaxial insert trace tested to 1.6 GHz
- HYB Type tested to 86 Bar open face pressure
- HDM Connectors Depth rated to 3,450 MSW standard and 6,900 MS on request
- Metal Shell Construction
- Available in a variety of shell sizes
- Bulkhead Mount and Panel Mount Designs available as standard
- Mounting O – Ring face seals and optional Barrel seals available as standard
- Pin / Coaxial densities up to 4 of 50-Ohm or 75-Ohm Coaxial paths and up to 39 electrical ways
- Voltage ratings up to 2,000 Volts RMS
- Current ratings up to 20 Amps
- Available in Nickel Aluminium Bronze or 316 Stainless Steel and Titanium etc on request
- 0.75 metre conductor tails on all bulkhead connectors as standard with other lengths on request
- Optional Earth Bonding
- Optional Cathodic delamination version available
- Moulding options include Polyurethane and or Polyethylene



HYB: (Hydro Bond Hybrid) Connector

Surface Mateable Hybrid Connectors

Coaxial & Electrical : Metal Keyed HDM (Hydro Bond Deck Mate) : HYB (Hydro Bond Hybrid)

Benefits

- Easy to use
- Proven Shock tested design
- 50-Ohm & 75-Ohm coaxial paths allow noise free high data rate transmission.
- Electrical / Coaxial hybrid design allows for compact system design and composite cable use
- Wide variety of metal options allows for best corrosion resistant design



HDM: Connector



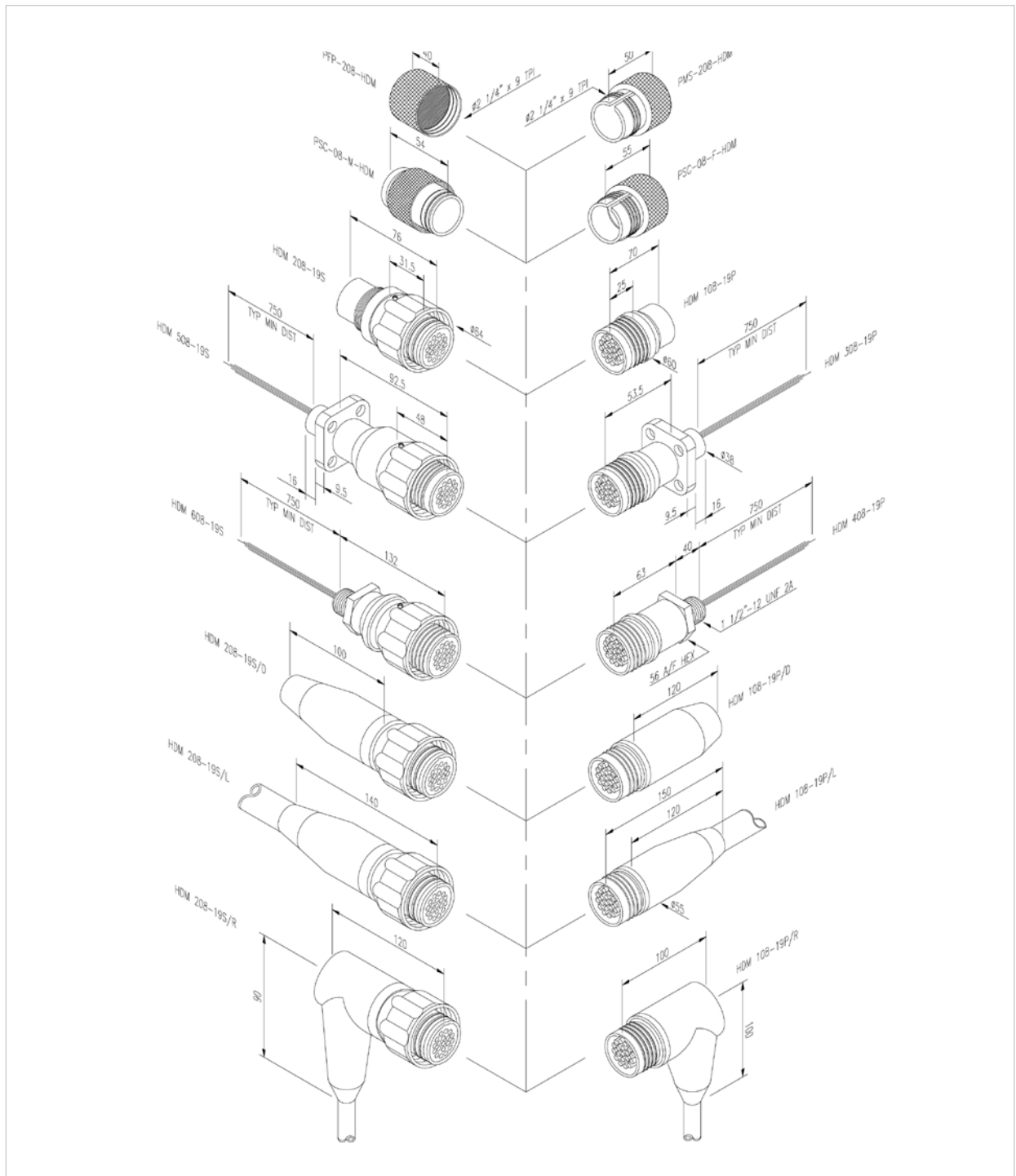
HYB: Connector

Specifications

The following page features the HDM (Hydro Bond Deck Mate) and HYB (Hydro Bond Hybrid) Surface Mateable Hybrid Coaxial and Electrical (Metal Keyed) Connectors that has been designed, manufactured and field tested. The following chart features the socket / pin (face view) configuration, together with electrical, environmental and standard material specifications.

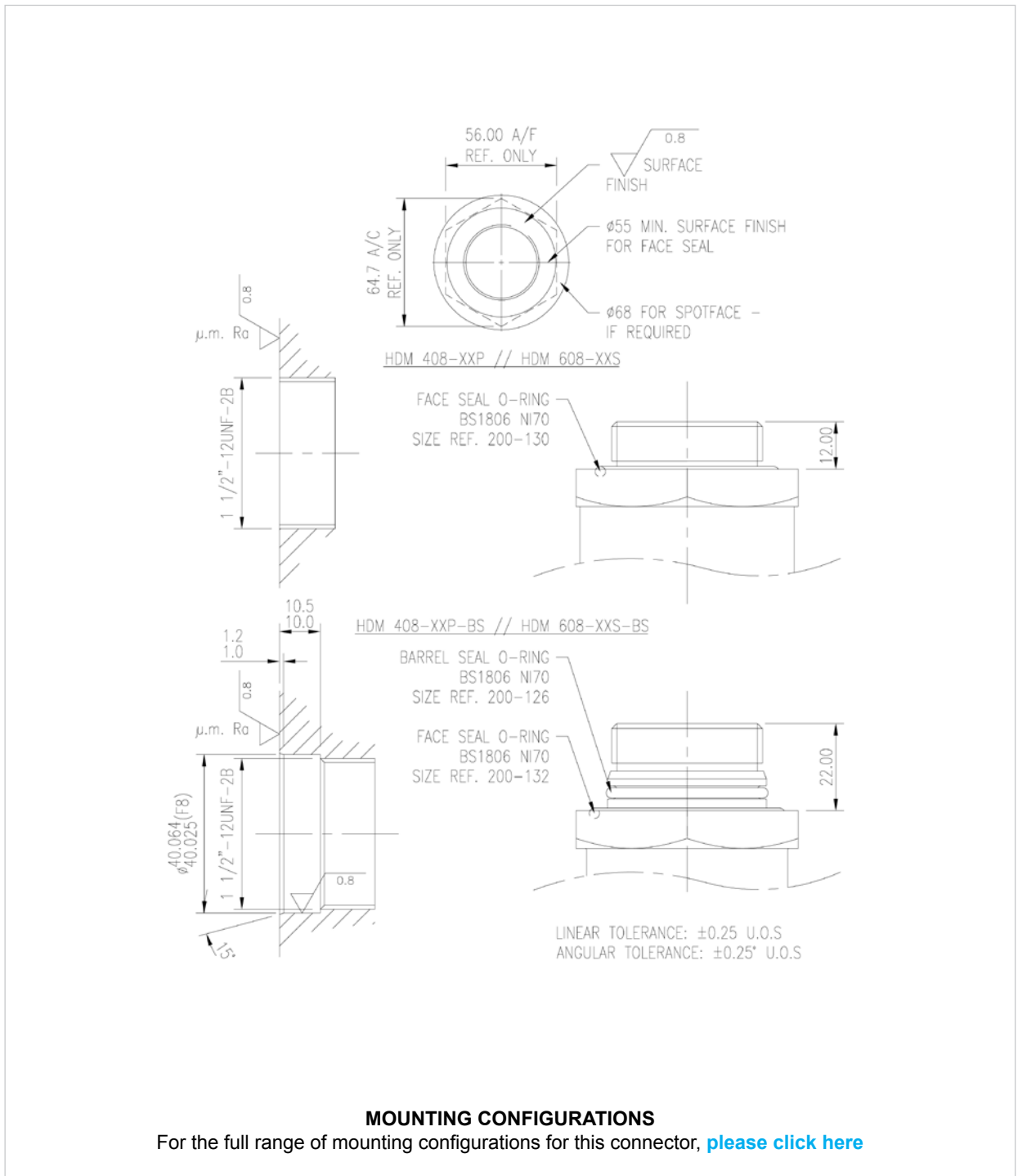
Surface Mateable Hybrid Connectors

Coaxial & Electrical : Metal Keyed HDM (Hydro Bond Deck Mate) : Shell Size 8 / Connector Details



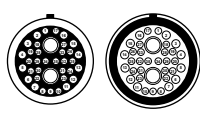
Surface Mateable Hybrid Connectors

Coaxial & Electrical : Metal Keyed HDM (Hydro Bond Deck Mate) : **Shell Size 8 / Mounting Details**



Surface Mateable Hybrid Connectors

Coaxial & Electrical : Metal Keyed HDM (Hydro Bond Deck Mate): Specifications

Electrical and Environmental	Standard Material Specification	Face Views
Coax Impedance: 50 Ohm or 75 Ohm Coax Power Rating: 120 Watts Coax Frequency Rating: 1,600 Mhz Pin Current Rating: On Application Pin Voltage Rating: 1,000 V rms RMS Contact to Contact IR: >1,000 MOhms @ 1,000 V dc Contact to Body IR: >1,000 MOhms @ 1,000 V dc Mated Depth Rating: 3,450 MSW Temperature Rating: -20 ° C to +60 ° C Conductor Tail Size: Contact office for full list Solder Bucket Size: 23x1.25mm dia, 12x1.6mm dia Rear Coax Connection: To fit SMC Plug	Body: 316 Stainless Steel Fix Ring: Aluminium Silicon Bronze Back Shell: N/A Coax Pins: BeCu/Au Coax Sockets: BeCu/Au Contact Pins: CZ121/Au Contact Sockets: CZ121/Au Insert Material: Peek Conductor Tails: I Metre Standard O – Rings: NI70	Socket Pin  Ref: HDM 08-02CX-35P

Custom Product Design

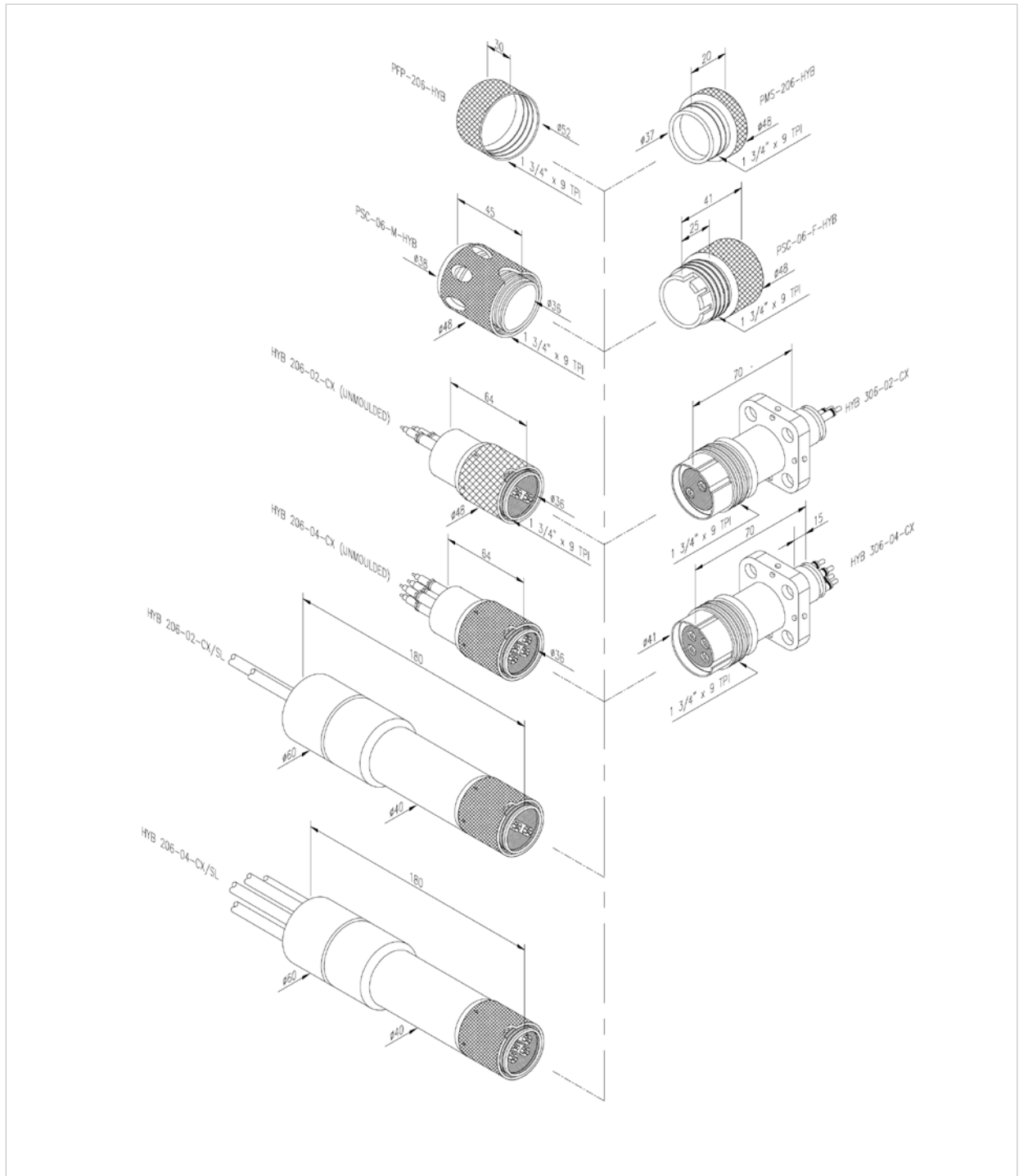
Not found what you are looking for ?

Our in house engineers design, develop, manufacture and test new products to customer specifications.



Surface Mateable Hybrid Coaxial Connectors

Coaxial & Electrical : Metal Keyed HYB (Hydro Bond Hybrid): **Shell Size 6 / Connector Details**



Surface Mateable Hybrid Coaxial Connectors

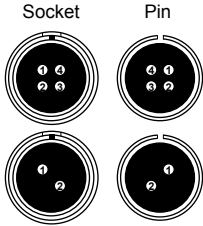
Coaxial & Electrical : Metal Keyed
HYB (Hydro Bond Hybrid): **Shell Size 6 / Mounting Details**

MOUNTING CONFIGURATIONS

We are currently working on the mounting configurations for this connector.

6: Surface Mateable Hybrid Coaxial Connectors

Coaxial & Electrical : Metal Keyed HYB (Hydro Bond Hybrid): Specifications

Electrical and Environmental	Standard Material Specification	Face Views
HYB (Hydro Bond Hybrid) Surface Mateable Hybrid Coaxial Connector : Metal Keyed		
Coax Impedance: 50 Ohm or 75 Ohm Coax Power Rating: 120 Watts Coax Freq'y Rating: 1,600 Mhz Contact to Contact IR: >1,000 MOhms @ 1,000 V dc Contact to Body IR: >1,000 MOhms @ 1,000 V dc Mated Depth Rating: 1,000 MSW Temperature Rating: -20 ° C to +60 ° C Coax Tail Size: Contact office for full list Coax Connection: To fit SMC Plug	Body: 316 Stainless Steel Fix Ring: Aluminium Silicon Bronze Back Shell: N/A Coax Pins: BeCu/Au Coax Sockets: BeCu/Au Insert Material: Neoprene Conductor Tails: 1 metre standard O – Rings: NI70	Socket Pin  Ref: HYB 06-02CX HYB 06-04CX

Custom Product Design

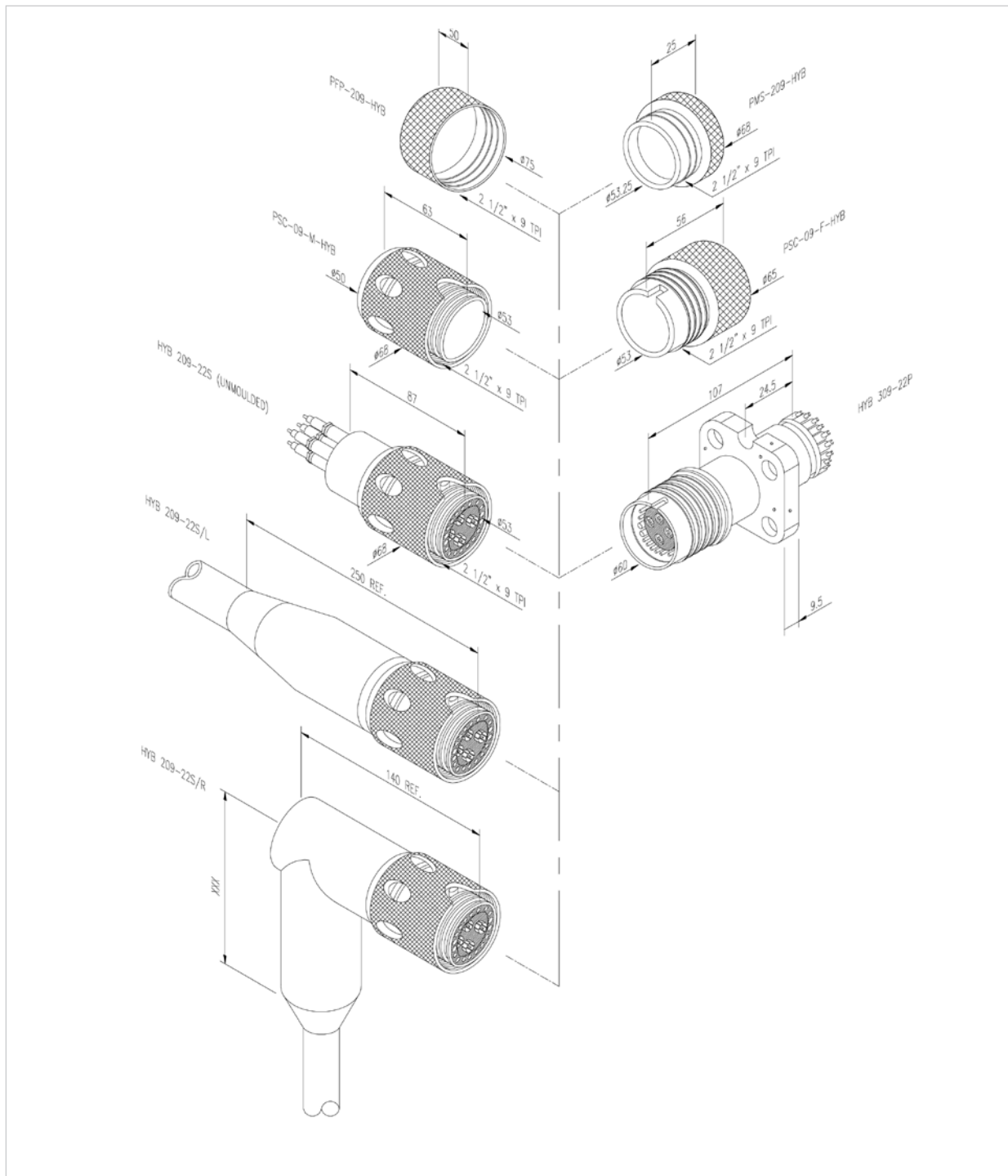
Not found what you are looking for ?

Our in house engineers design, develop, manufacture and test new products to customer specifications.



6: Surface Mateable Hybrid Coaxial Connectors

Coaxial & Electrical : Metal Keyed HYB (Hydro Bond Hybrid): Shell Size 9 / Connector Details



6: Surface Mateable Hybrid Coaxial Connectors

Coaxial & Electrical : Metal Keyed
HYB (Hydro Bond Hybrid): **Shell Size 9 / Mounting Details**

MOUNTING CONFIGURATIONS

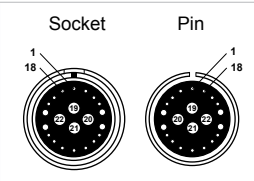
We are currently working on the mounting configurations for this connector.

6: Surface Mateable Hybrid Coaxial Connectors

Coaxial & Electrical : Metal Keyed HYB (Hydro Bond Hybrid): Specifications

Electrical and Environmental	Standard Material Specification	Face Views
------------------------------	---------------------------------	------------

HYB (Hydro Bond Hybrid) Surface Mateable Hybrid Coaxial Connector : Metal Keyed

<p>Coax Impedance: 50 Ohm or 75 Ohm Coax Power Rating: 120 Watts Coax Freq'y Rating: 1,600 Mhz Pin Current Rating: 4x25 Amps & 14x10 Amps Pin Voltage Rating: 1,000 Volts RMS Contact to Contact IR: >1,000 MOhms @ 1,000 V dc Contact to Body IR: >1,000 MOhms @ 1,000 V dc Mated Depth Rating: 1,000 MSW Temperature Rating: -20 ° C to +60 ° C Coax Tail Size: Contact office for full list Solder Bucket Size: 4x4.0mm dia, 14x2.5 mm dia Coax Connection: To fit SMC Plug</p>	<p>Body: Aluminium Nickel Bronze Fix Ring: Aluminium Nickel Bronze Back Shell: N/A Contact Pins: CZ121/Au Contact Sockets: CZ121/Au Coax Pins: BeCu/Au Coax Sockets: BeCu/Au Insert Material: Neoprene Conductor Tails: Spec 44x1.0 Metre Coax Tails: 1 metre standard O – Rings: NI70</p>	<p>Socket Pin</p>  <p>Ref: HYB 09-04CX-18</p>
---	--	--

Custom Product Design

Not found what you are looking for ?

Our in house engineers design, develop, manufacture and test new products to customer specifications.

