

Hydro Bond Engineering Ltd

Pressure Hull Glands & Outboard Systems: PHG (Hydro Bond Pressure Hull Glands)



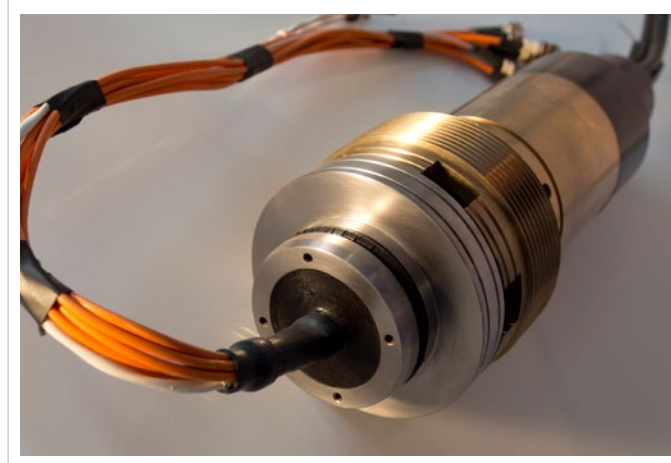
Pressure Hull Glands & Outboard Systems

PHG (Hydro Bond Pressure Hull Glands)

Hydro Bond Engineering Ltd offer Pressure Hull Glands and Outboard Systems from its extensive, high integrity range of underwater glands.

Our in house engineered and developed electrical technology is at the forefront of harsh environment requirements. Our products have been extensively tested both internally and externally and are field proven on major local, national and international projects.

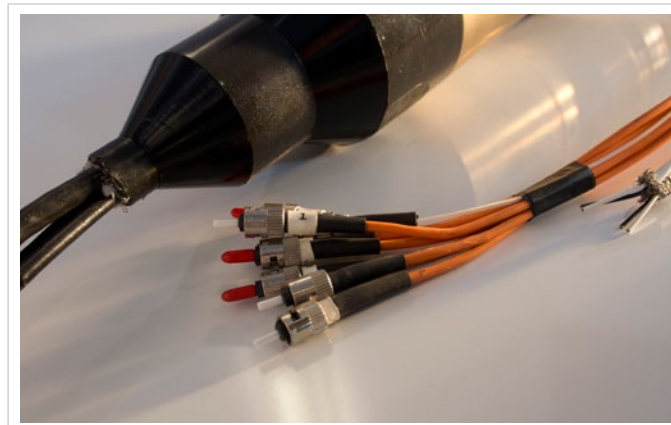
Our Electrical Engineers and Technicians are fully trained and certified on our equipment by City & Guilds.



PHG: Pressure Hull Gland

Features

- Fully pressure blocked
- Proven Shock Tested Design
- Tested to PTS 14299
- Metric and Imperial Thread Versions
- Robust Design
- Electrical, Coaxial and Optical designs available (subject to approval)
- Inboard conductor tails meet requirements for manned systems
- Wide variety of outboard composite cable designs available
- Metal Shell Construction
- Available in Normalised Steel / Nickel Aluminium Bronze (NAB) as standard
- Termination options include Polyethylene TSP and Coax Tails or composite Optical Electrical Tails
- Moulding options include Polyurethane and Polyethylene



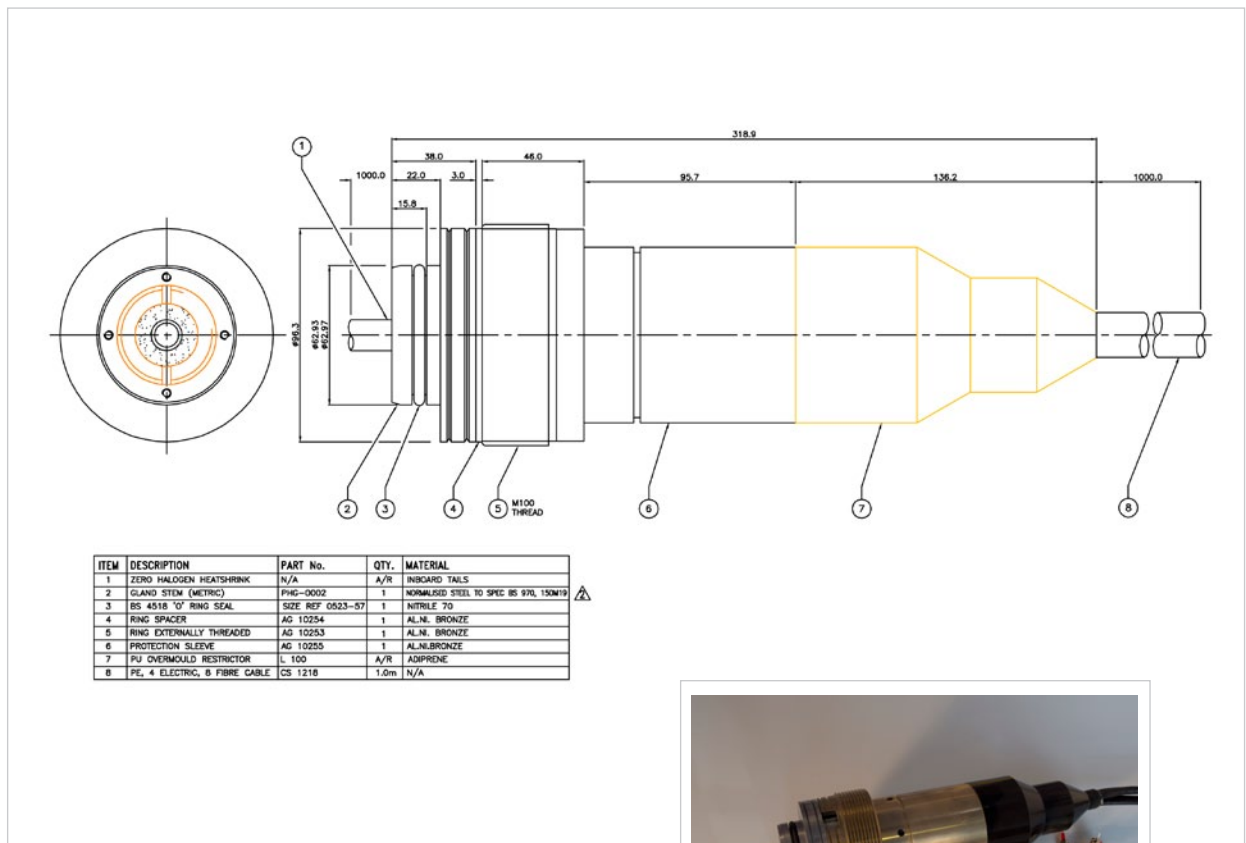
PHG: Pressure Hull Gland

Pressure Hull Glands & Outboard Systems

PHG (Hydro Bond Pressure Hull Glands)

Benefits

- Approved Design
- Less connections to worry about
- Low optical losses
- Fast Delivery lead times
- Wide variety of insert configurations allows cost effective system design



PHG: Pressure Hull Gland