

Hydro Bond Engineering Ltd

Environmental Electrical Connectors: ATLANTIS Series (Hydro Bond Environmental Connector)



Environmental Electrical Connectors

ATLANTIS Series (Hydro Bond Environmental Connector)

Hydro Bond Engineering Ltd offers its unique Atlantis Series Environmental Electrical Connectors from its extensive, high integrity range of underwater subsea connectors.

Our in house engineered and developed electrical technology is at the forefront of harsh environment requirements. Our products have been extensively tested both internally and externally and are field proven on major local, national and international projects.

Our Electrical Engineers and Technicians are fully trained and certified on our equipment by City & Guilds.



ATLANTIS Series Connector

Features

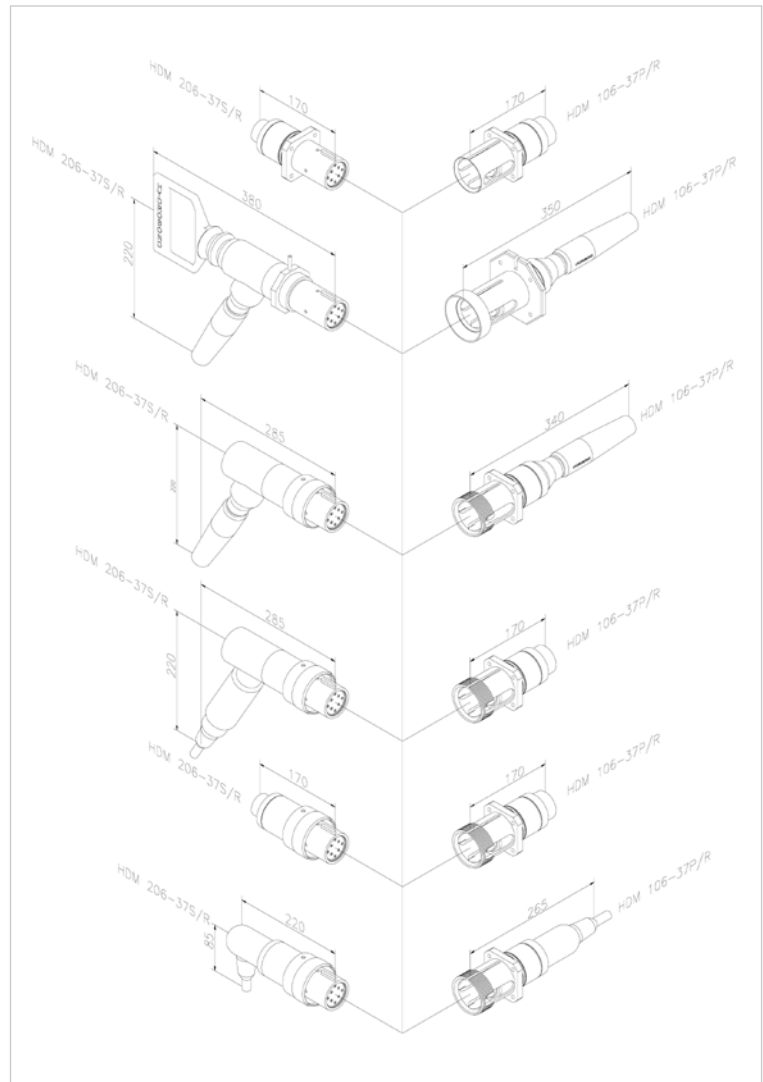
- Robust, Compact, High Integrity Design
- Available in ROV mateable, diver mateable and stab plate designs
- Male receptacle pins are hard gold plated and are protected by a pressure compensation cell, which isolates them from surrounding seawater when unmated. This eliminates the need for full pressure proof caps when unmated and also allows for open face electrical testing to be carried out
- Female plug sockets are hard gold plated multi leaved type and are contained
- The complete insert assembly is pressure compensated
- Positive Metal Key Way ensures correct alignment and ease of mating
- Multiple Key options are available on request
- Positive stop on the metal bodies provides a visual indication of when the connector halves are fully mated
- Depth rated up to 3,000 MSW standard with deeper ratings on request
- Fully open face pressure sealed
- Metal Shell Construction
- Available in 3 shell sizes
- Bulkhead Mount and Panel Mount Designs available as standard
- Mounting O – Ring face seals and optional Barrel seals available as standard
- Pin Densities from 2 to 12 ways
- Voltage ratings to 1,000 Volts RMS standard with higher ratings on request
- Current ratings to 10 Amps standard with higher ratings on request
- Available in 316 Stainless Steel as standard or Titanium, Aluminium Silicon Bronze etc on request
- Non Magnetic versions available
- 1 metre conductor tails on all bulkhead receptacle connectors as standard with other lengths on request
- Optional Earth Bonding
- Termination options include fully water blocked, mechanical strain terminations to cable, oil filled options and field installable
- Moulding options include Polyurethane and Polyethylene

Environmental Electrical Connectors

ATLANTIS Series (Hydro Bond Environmental Connector)

Benefits

- Rugged versatile design
- Does not require expensive pressure sealing half
- Wide variety of termination options ease system design
- Wide variety of connection options
- Easily serviced
- Wide variety of pin configurations allows cost effective system design
- Wide variety of metal options allows for best corrosion resistant design



ATLANTIS Series Connector